

# LT-40A/40B Quick Release Buckle

**LOTUS**

www.lotus-bag.com

## Instructions



1 - Place the adapter (LT-40B) on the rack. The front and back of the adapter is labelled for correct alignment.

**A.** Rack without a top plate



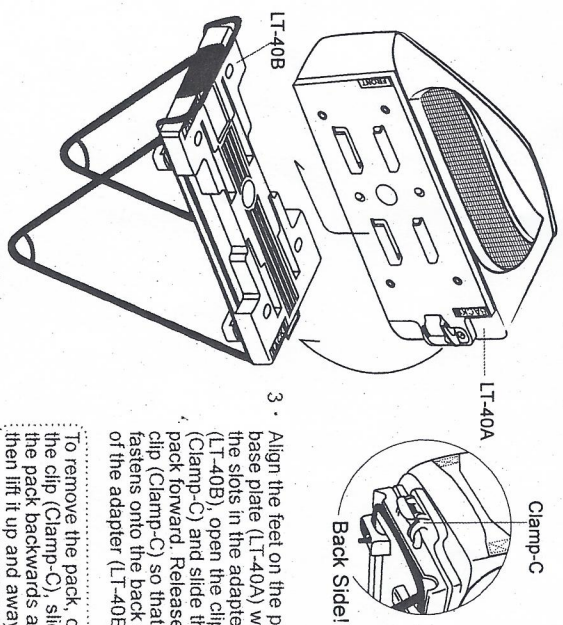
• Fit a Clamp-A component to each of the four Clamp-B components, as illustrated.

**B.** Rack with a top plate



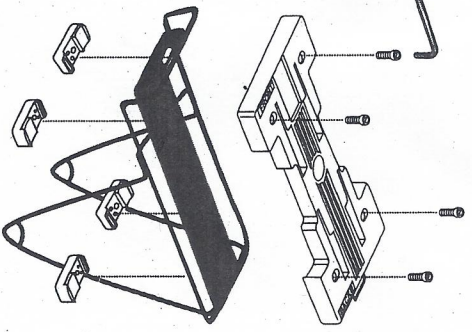
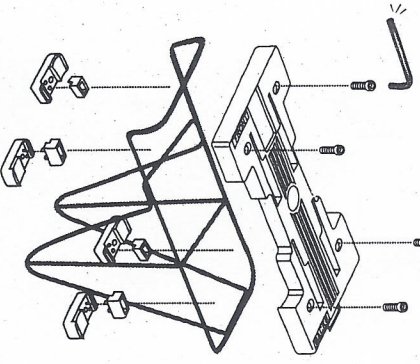
• Use the four Clamp-B components without fitting a Clamp-A component.

2 - Insert the four bolts into the holes in the top of the adapter (LT-40B) and screw them into the clamps (Clamp-B) on the underside of the adapter, as illustrated. Make sure the bolts are sufficiently tight to clamp the adapter securely to the rack.



3 - Align the feet on the pack's base plate (LT-40A) with the slots in the adapter (LT-40B), open the clip (Clamp-C) and slide the pack forward. Release the clip (Clamp-C) so that it fastens onto the back edge of the adapter (LT-40B).

To remove the pack, open the clip (Clamp-C), slide the pack backwards and then lift it up and away.



*Passion  
Adventure*

EN ver. 1.0 2010/3/25  
MADE IN TAIWAN