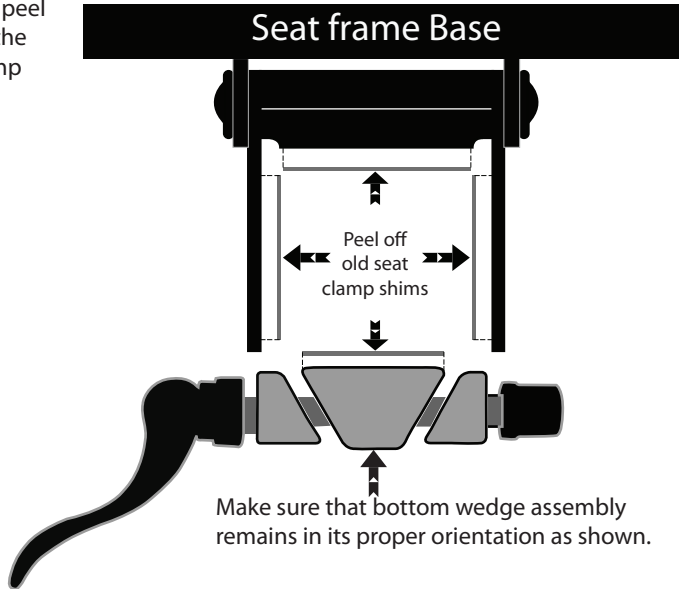


How To: Install New Rover Seat Clamp Shims

Step 1: Remove Seat From Frame and Remove Quick Release Lever From Clamp Assembly

Step 2: Remove Old Shims

First, you will need to peel the old seat shim off the inside of the seat clamp assembly.



Step 3: Install New Molded Shims

Next, remove new molded plastic shims from package.

There are two sizes of shims. The larger shims should be attached to the horizontal parts of the clamp and the smaller shims should be attached to the vertical parts of the clamp.

The shims clip over the seat clamp bracket from the inside.

