

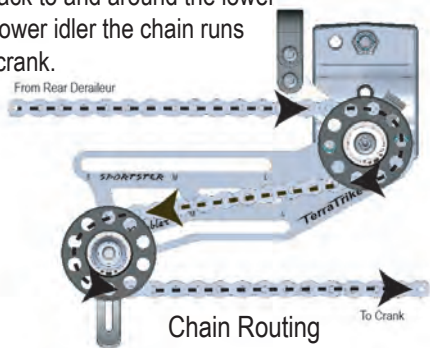
TerraTrike®

Chain Gobbler Instructions For *Rambler*

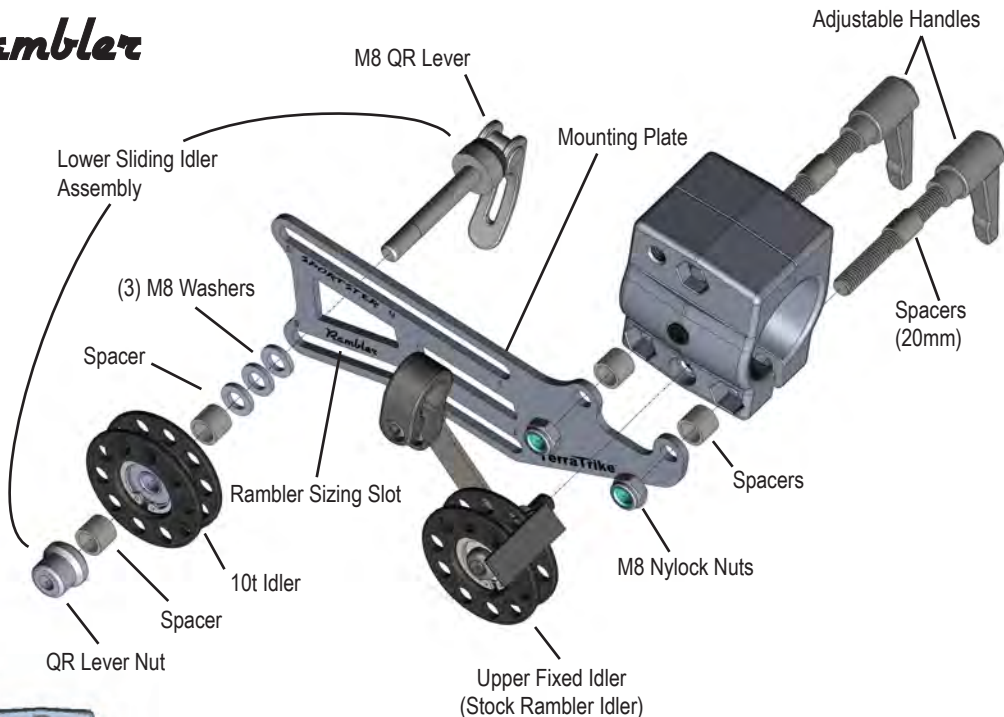
Install:

1. Size boom to Long (18" from BB center to boom receiver tube). Add included chain. 8 speed for Base, 9 speed for GT.
2. Remove Seat. Move tie rod to *above* hubmounts. This is for chain clearance.
3. Remove lower seat clamp bolts from Rambler sliding seat clamp. Remove stock Rambler idler assembly, keeping intact. It will be reused.
4. Install Adjustable Handles into lower seat clamp holes using spacers. On drive side, use spacers to move mounting plate away from seat clamp. Secure with M8 Nylock nuts.
5. Reinstall Rambler idler assembly into seat clamp. Rotate chain tube bracket forward if needed.
6. Install lower idler assembly in order shown using the *lower*, Rambler specific, sliding sizing slot.
7. Route return chain over and around the upper fixed stock idler then back to and around the lower sliding idler. From the lower idler the chain runs directly forward to the crank.

The chain will make an 'S' shape as it runs through the idlers.



Chain Routing



Use:

Size boom as needed for rider. On the sliding size slots are markings for short (S), medium (M), long (L) corresponding to boom length. Loosen the lower idler quick release lever and slide to desired size taking up or releasing slack from the chain. Secure the quick release lever and ride.