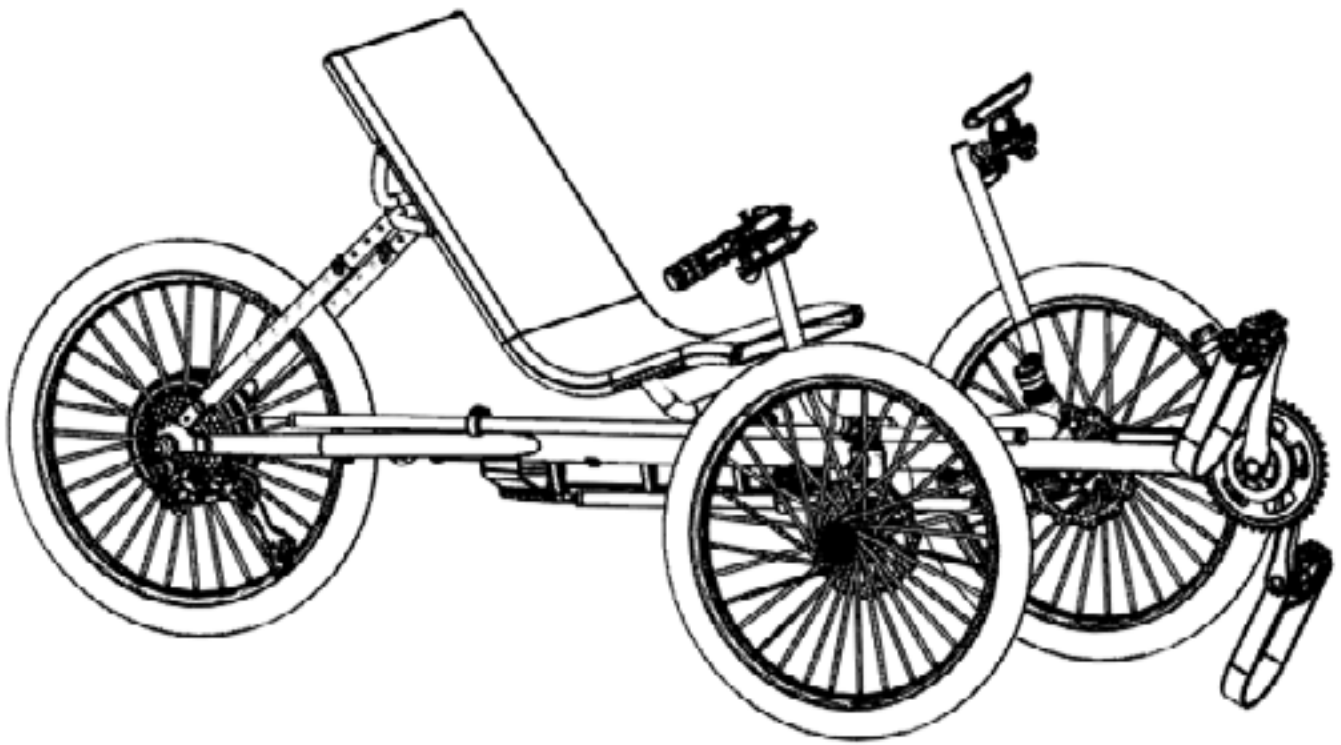




**TerraTrike®**

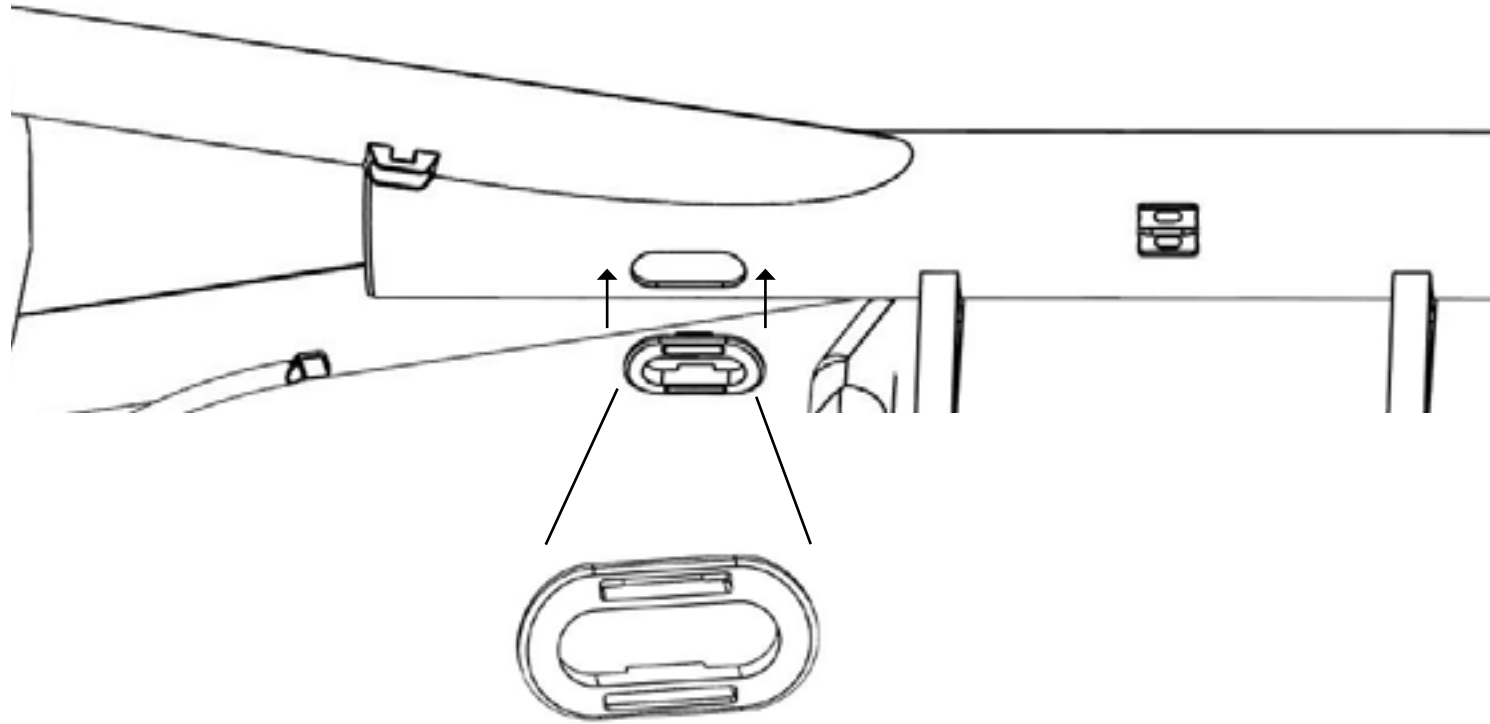


# CHARGE

## Build Notes

## Frame Insert

Clip the frame insert (WC000068) into mainframe cable port.

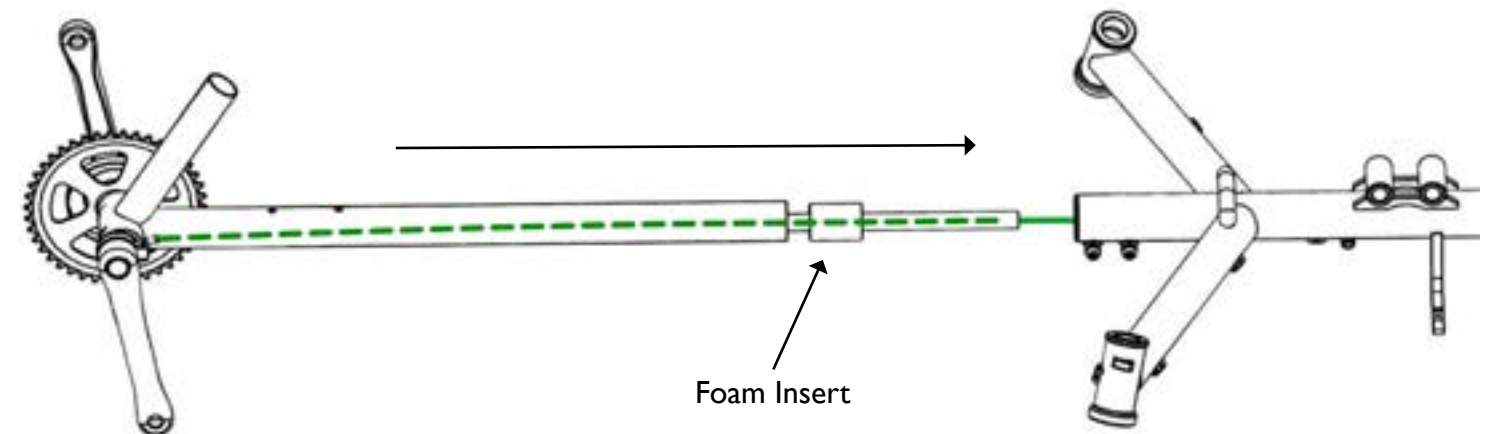


## Internal Cable Routing - Cadence Sensor

Cadence sensor cable (green, 5 pin) is pre-installed on the bottom bracket and internally routed through the boom. During assembly, insert the cadence cable through the non-flared 84cm chain tube included in the kit.

Install the foam insert around the chain tube and secure chain tube in boom. Once the chain tube has been secured, install boom into mainframe. Continue routing cadence cable through the mainframe and out of the cable port near the chainstays.

Tech Tip: Use internal cable routing kit or spare shift cable to assist with internal routing. Insert the guide cable through the cable port on the underside of the mainframe near the chainstays. Route the guide cable through the frame and out of the boom receiver tube. Locate the cadence sensor cable and tape it to the guide cable. Pull guide cable from cable port while inserting the boom into the frame.



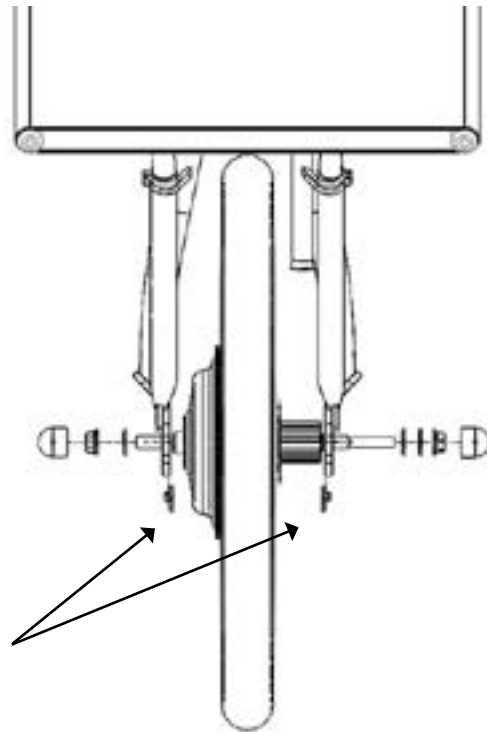
## Promovec Cable Routing

Install rear wheel prior to derailleur or securing Promovec cables.

Anti-rotation washers are to be installed on the inside of the dropouts.

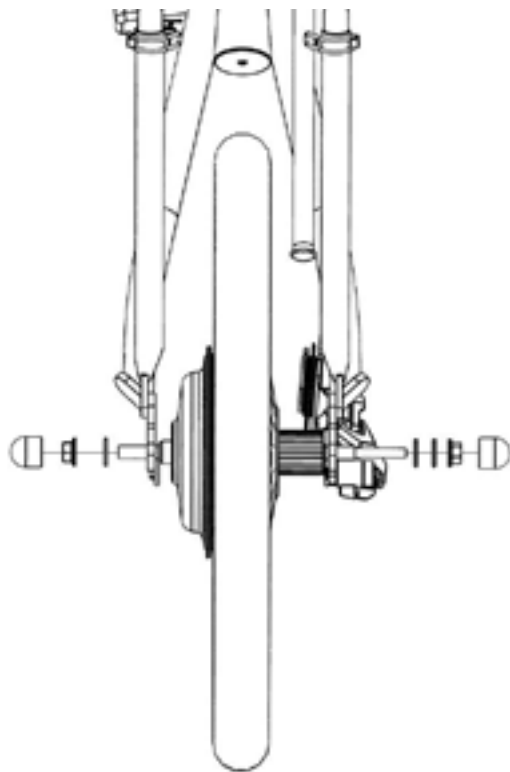
Install the washers on the axles so the tabs fit in the dropouts, and slide the wheel into place.

Anti-rotation washers



Note: Two washers are to be installed on drive side of axle, one washer on non-drive side.

Tighten axle nuts to 25-28Nm and install dust caps.



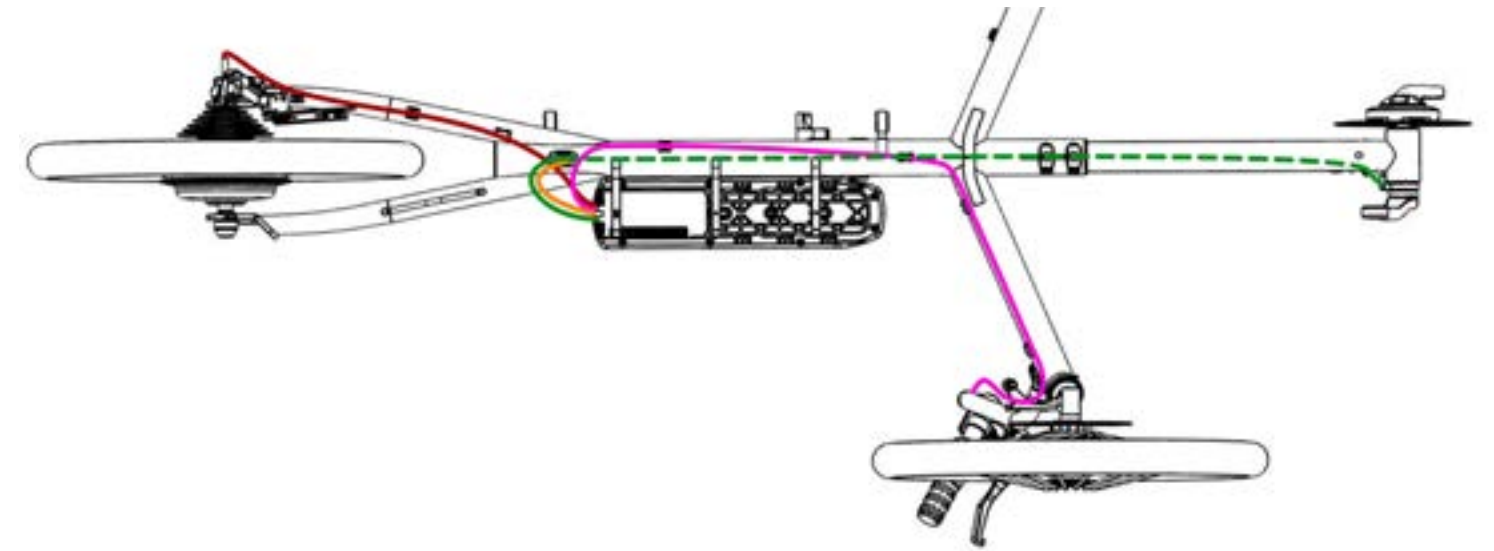
Promovec Cable Routing shown below. Excess cables will be maintained by cable cover. Make sure the arrows on the cable plugs are aligned before connecting.

Cadence Cable - 5 pin - dashed line = internal routing

Extra Light Cable (6v) - 5 pin - Note: Can be used to install aftermarket light.

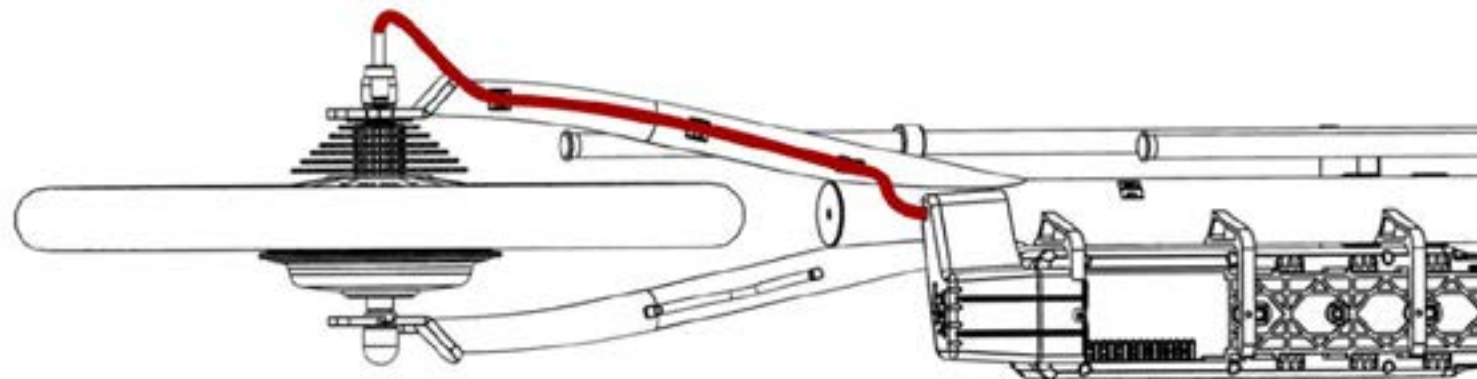
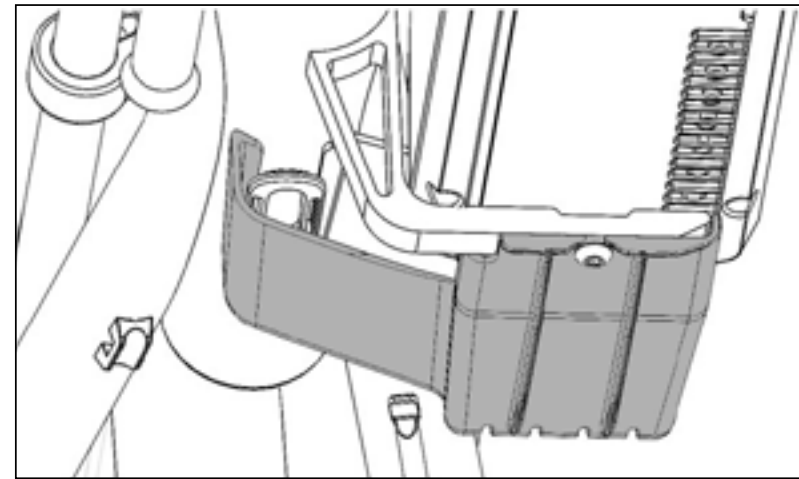
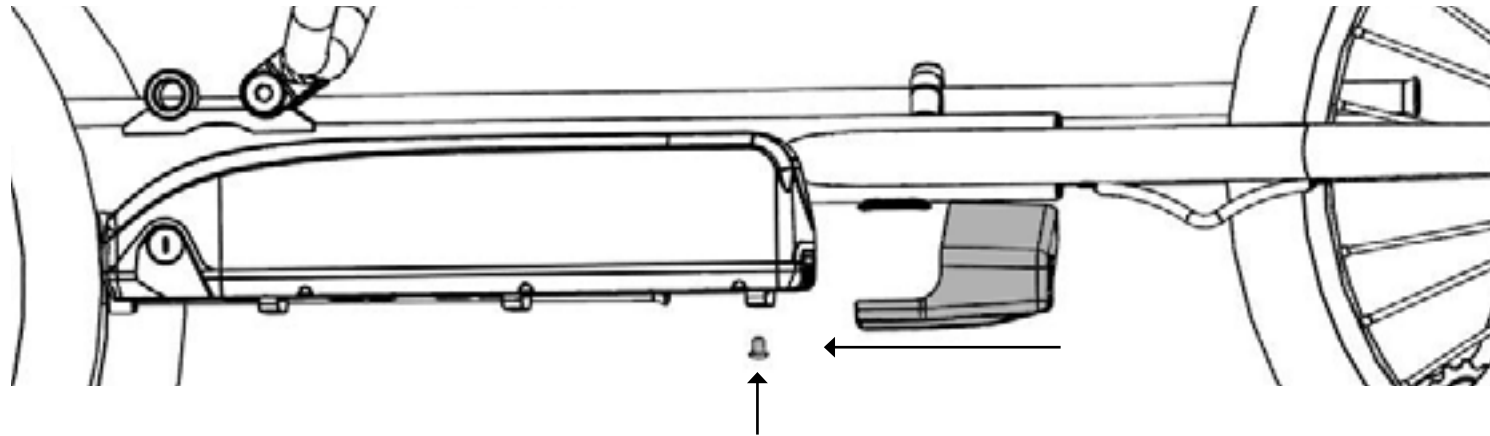
Computer Cable - 6 pin

Motor Cable - 9 pin



## Cable Cover Installation

Slide cable cover onto the frame insert to protect the internally routed cables. Route the rear wheel motor cable through the cover as shown in the last image below. Secure any excess cable(s) inside of the cable cover. Use M5x8 bolt to secure the cable cover to the battery mount.

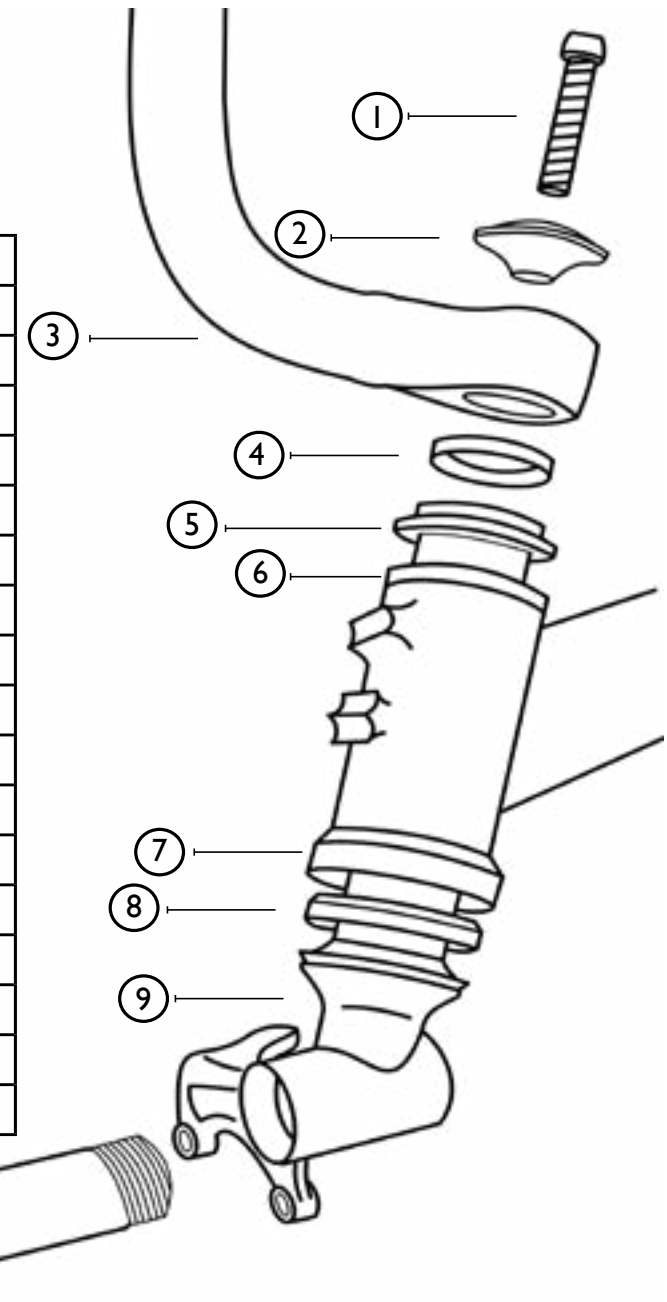


## Hybrid Steering Stack Assembly\*

Assemble the steering stack as shown. Grease the steerer tube before inserting into head tube. Remove any excess grease from steerer tube before installing handlebar. Grease axle before installing wheel. Torque axle to 23-25Nm.  
\*Right Hand assembly depicted. Some components can be purchased individually as well as in pairs, see parts list below.

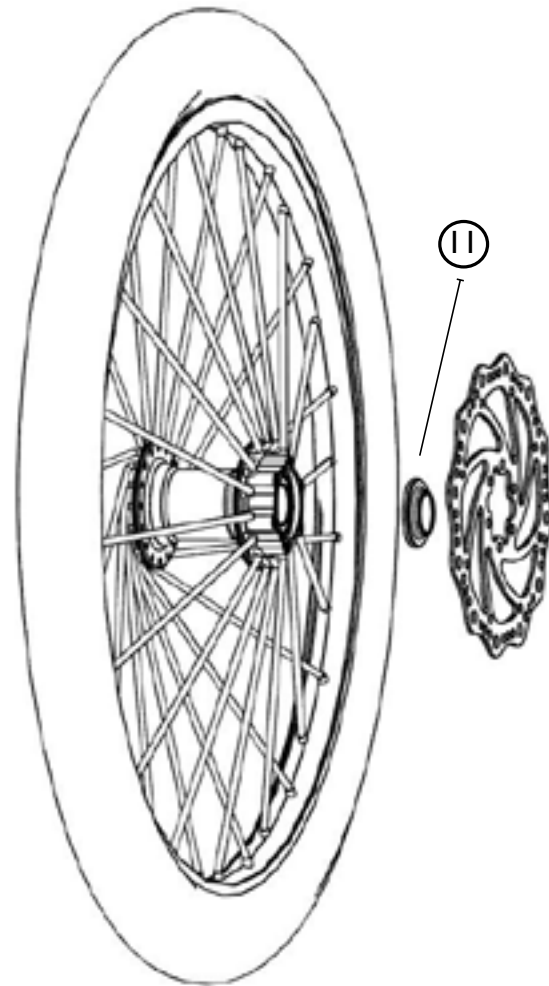
### Parts List

1	M6x30 Bolt	TT000576
2	Hybrid Top Cap	TT000506
3	Trigger Handlebar - RH	TT000649
	Trigger Handlebar - LH	TT000650
	Trigger Handlebar - Pair	TT000514
	M5x20 Bolt - qty 2 (not pictured)	TT000301
4	Hybrid Headset Spacer	TT000520
5	Hybrid Headset Cap	TT000505
6	Bushing (pre-installed)	TT000504
7	Hybrid Headset Cup (pre-installed)	TT000602
8	Hybrid Headset Bearing	TT000600
9	Rapid Axle Hubmount - RH	TT000713
	Rapid Axle Hubmount - LH	TT000714
	Rapid Axle Hubmount - Pair	TT000516
10	Rapid Axle - RH	TT000717
	Rapid Axle - LH	TT000718
	Rapid Axle - Pair	TT000563
11	Axle Spacer (see next page)	TT000568



### Hybrid Steering Stack Assembly Continued\*

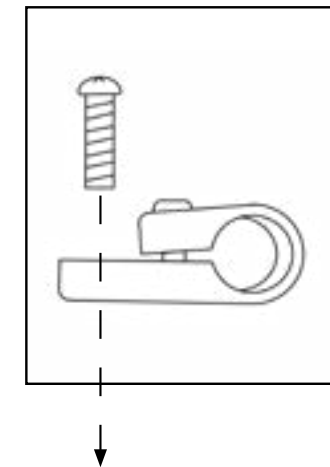
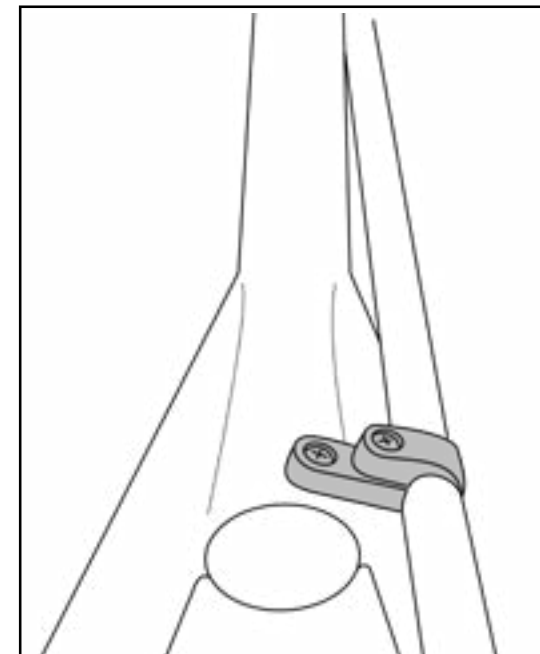
Install Axle Spacer (11) between brake rotor and hub.



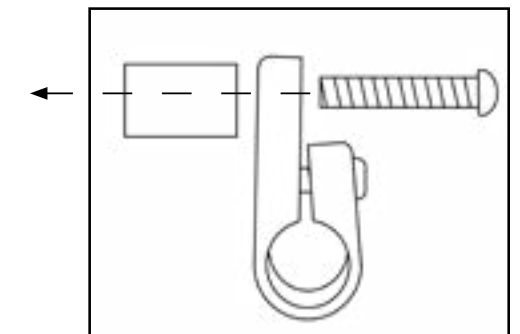
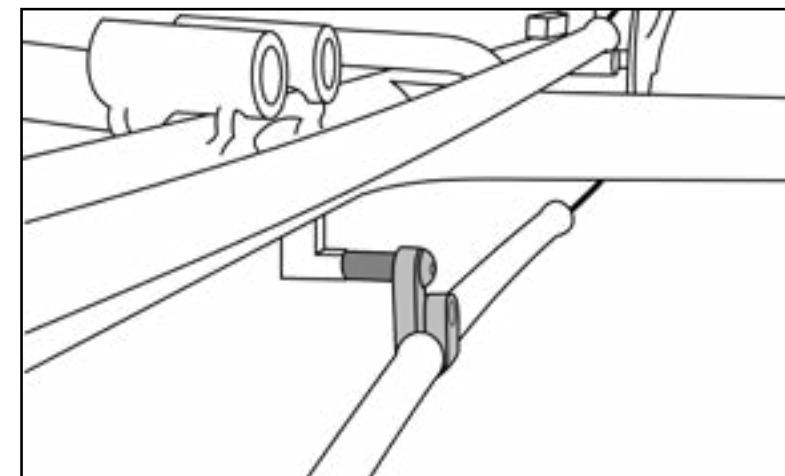
### Chain Tube Setup

Mount the chain tube assemblies as shown below. Ensure the chain tubes do not rotate in the clamps after tightening the pinch bolts.

Upper:



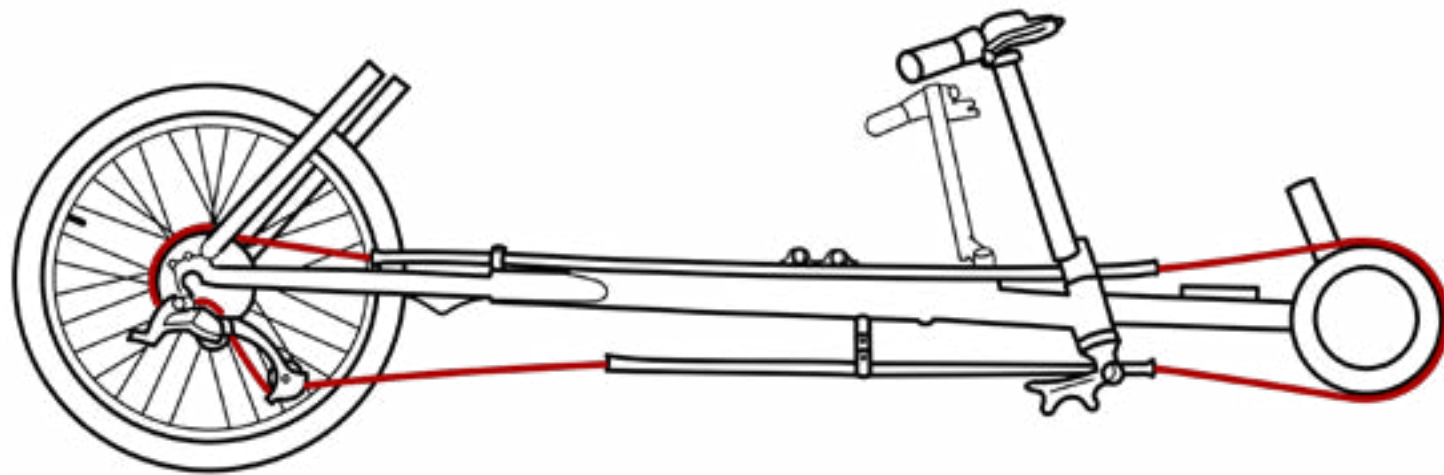
Lower:



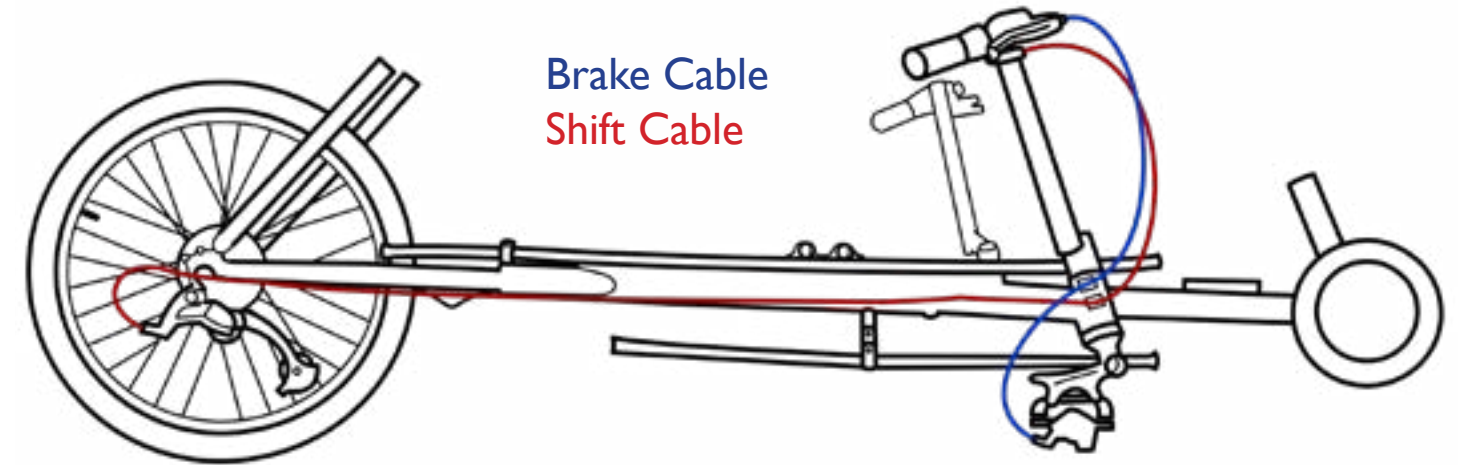
## Parts List

Upper Assy.	Chain Tube, 102cm LDPE	TT000540	1
	Chain Tube Clamp, Rov/Ram/Mav	TT000152	1
	M5x18 Pan Head (Phillips) SS	N/A	2
Lower Assy.	Chain Tube, 56cm LDPE	TT000548	1
	Chain Tube Clamp, Traveler	TT000422	1
	Spacer, 20mm L, 8mm AD x 10mm OD	TT000123	1
	M5x18 Pan Head (Phillips) SS	N/A	1
	M8x40mm BHCS SS	TT000278	1

## Chain Routing



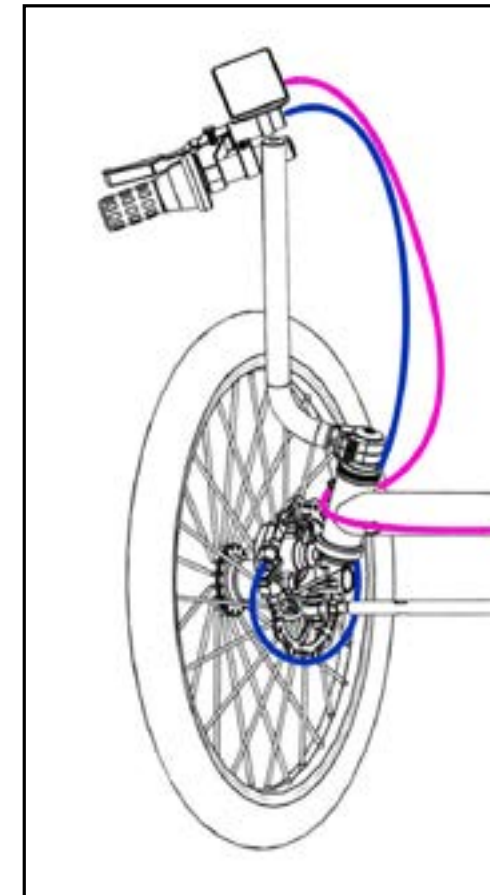
## Shift and Brake Cable Routing RH



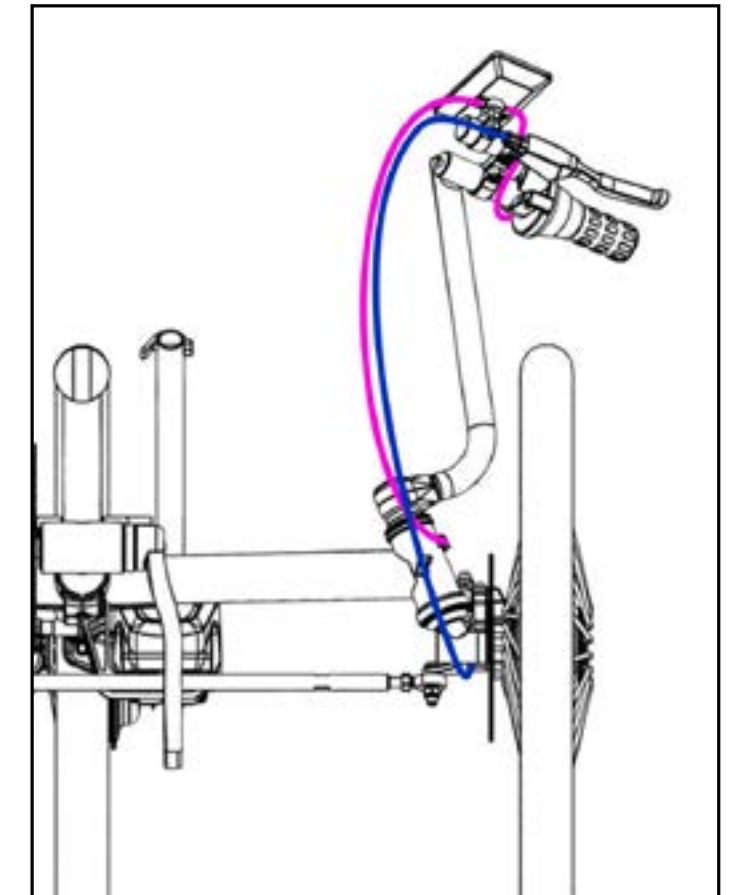
## Cable Routing LH

Brake Cable  
Computer Cable

Rider Perspective



Front Perspective



## Display Assembly

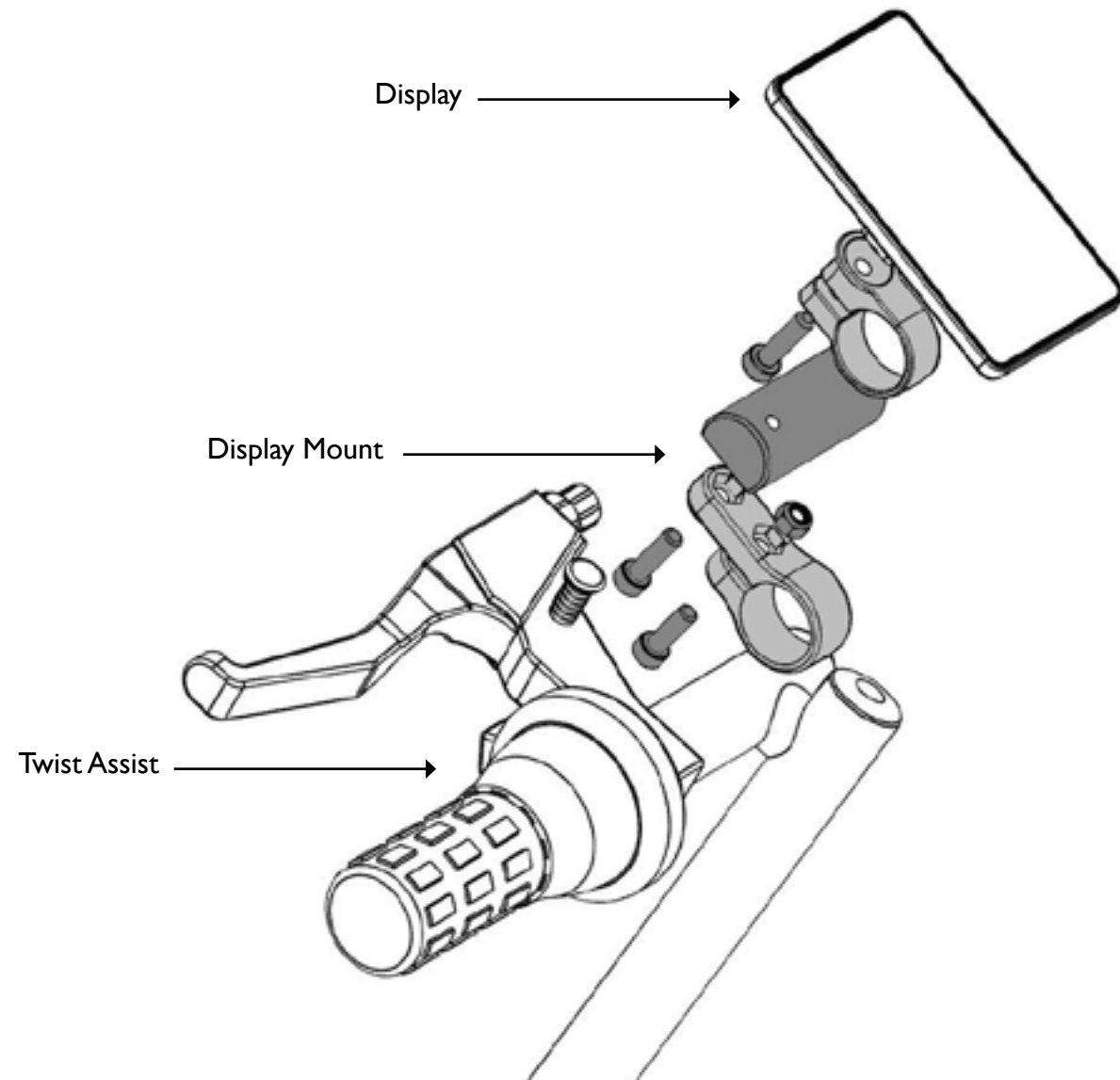


Wheel size setting is preset to 62.5. During assembly, double check the setting is correct. If an adjustment is needed, refer to page 6 of the [Promovec Display Manual](#).



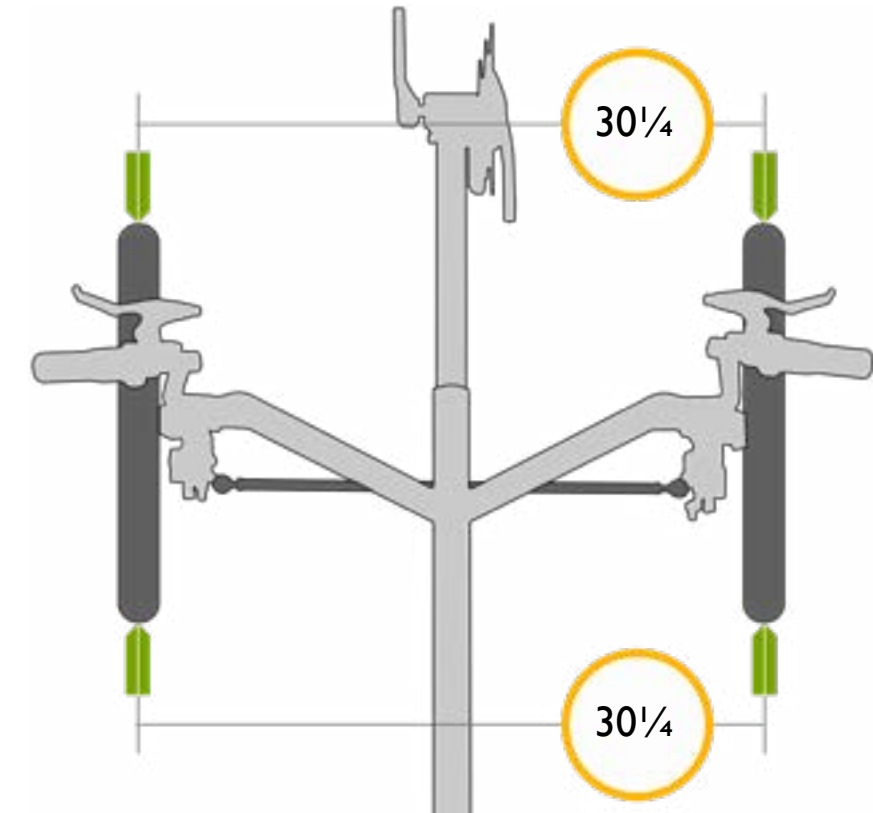
Please note: The Promovec Twist Assist does not offer continuous motor output. When the Twist Assist is engaged, the Level 1-5 assist function is bypassed and the 'Boost Effect' is activated. This effect offers a limited burst of additional power. Refer to the [Promovec Display Manual](#) for more information.

Assemble the display mount as shown.



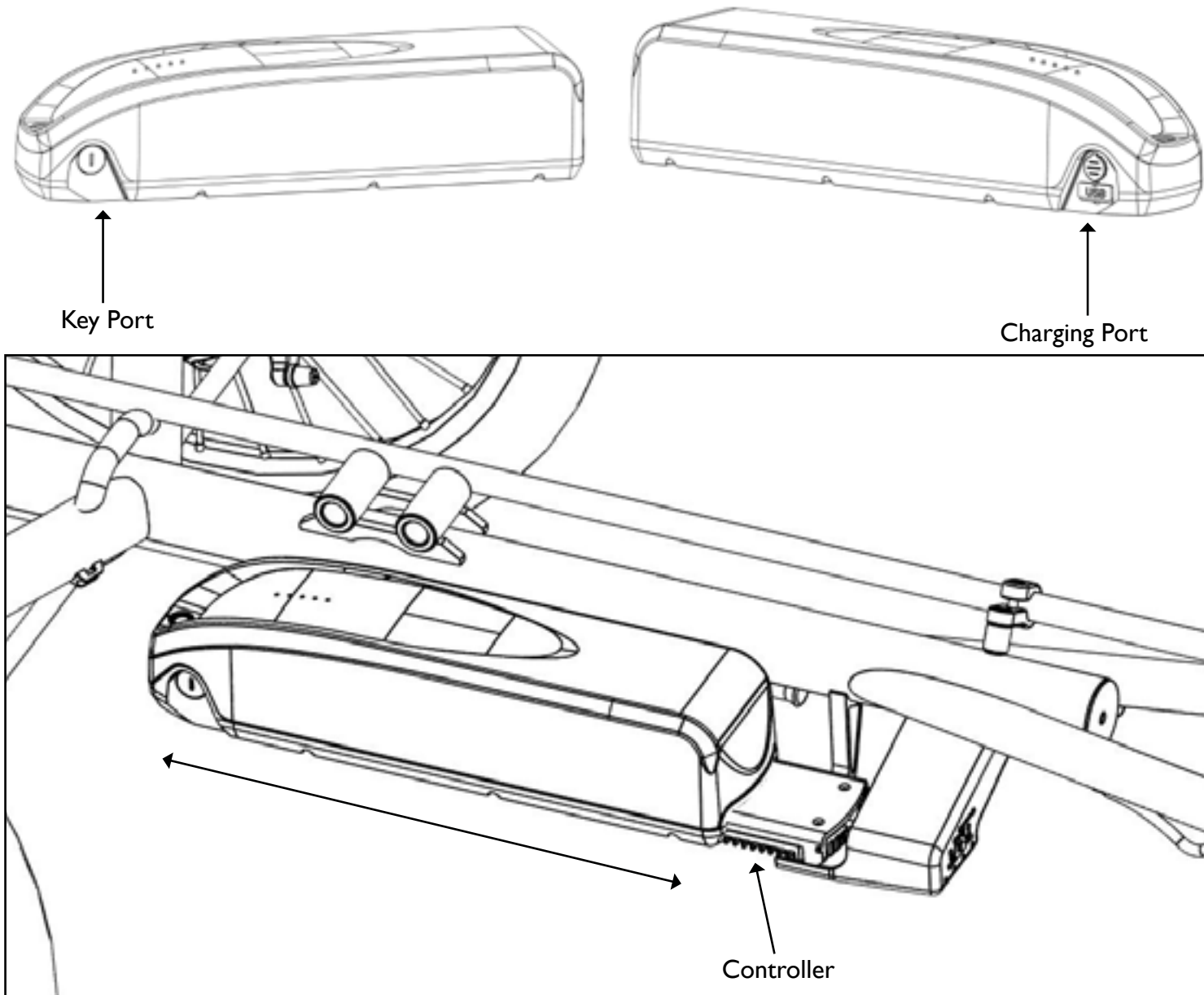
## Alignment

Inflate tires before performing alignment. The Charge alignment measurement is approximately 30 1/4" (center tread to center tread), though slight variance is possible. Most importantly, make sure the alignment remains neutral with a rider seated in the trike.



## Battery

Charging port and USB port are opposite the key port. Battery can be charged on or off the trike. To remove battery, unlock the key port and slide battery toward front of trike. To reinstall battery, align battery on controller and slide battery toward rear of trike. Ensure battery clicks in place and key port is locked once installed. LED lights on top of battery display charge level.



### Final Steps:

- Charge the battery pack completely.
- Test ride the finished product.

Visit the [TerraTrike Website](http://www.TerraTrike.com) for additional user manuals.



800.945.9910 | [www.TerraTrike.com](http://www.TerraTrike.com)  
4460 40th St. SE | Grand Rapids, MI 49512 USA

