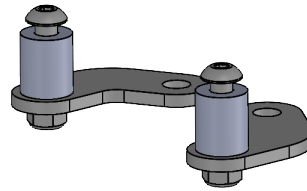
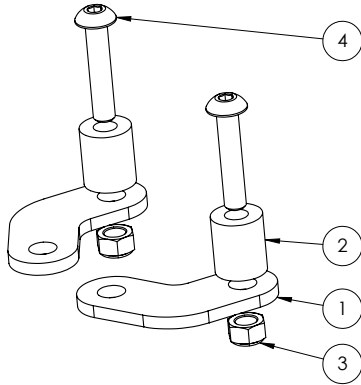


Tools Needed: 3mm Allen Wrench
8mm Combination Wrench

Parts Included:

1	TT000920	Elbow bracket	2
2	WC000001	Spacer, 5mm ID x 12mm OD x 14mm L	2
3	WH000004	M5x0.8MM STAINLESS STEEL NYLON-INSERT LOCKNUT (TT000252)	2
4	WH000005	M5x0.8MMx25MM SBHCS STAINLESS STEEL	2



Assembly Instructions:

- Remove the frame bolts (green) and set aside. Install Fit Kit and mounting hardware (red) onto Low Rider Rack. Mount Low Rider Rack onto trike frame via the frame bolts.

