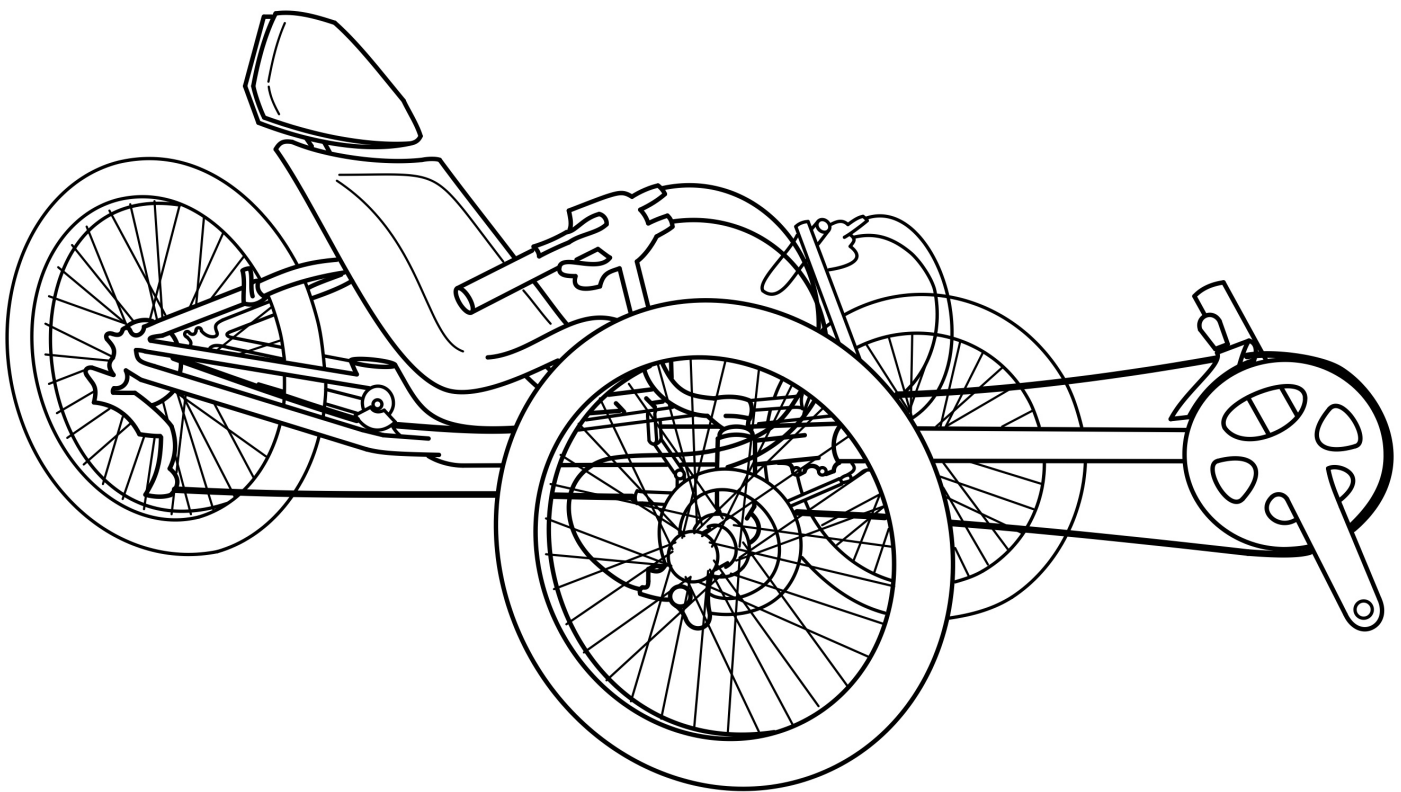




**TerraTrike<sup>®</sup>**

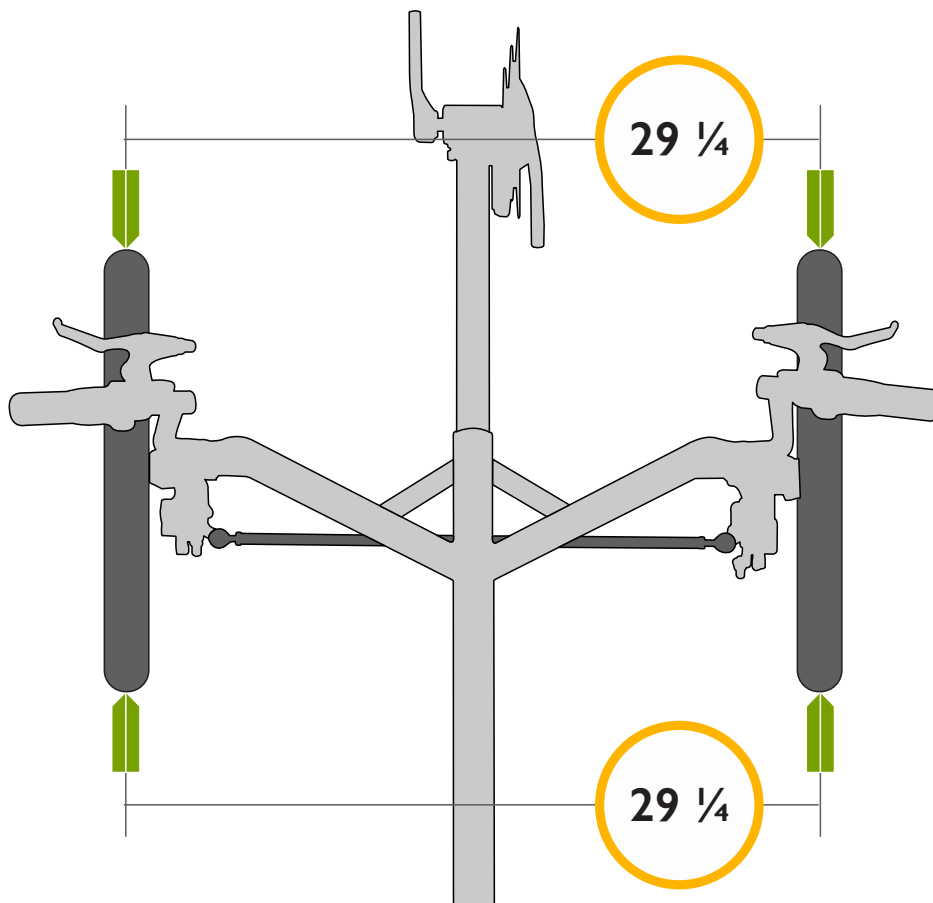


**GTS**

**Build Notes**

## Alignment

Inflate tires before performing alignment. The GTS alignment measurement is approximately  $29\frac{1}{4}$ " (center tread to center tread), though slight variance is possible. Most importantly, make sure the alignment remains neutral with a rider seated in the trike.



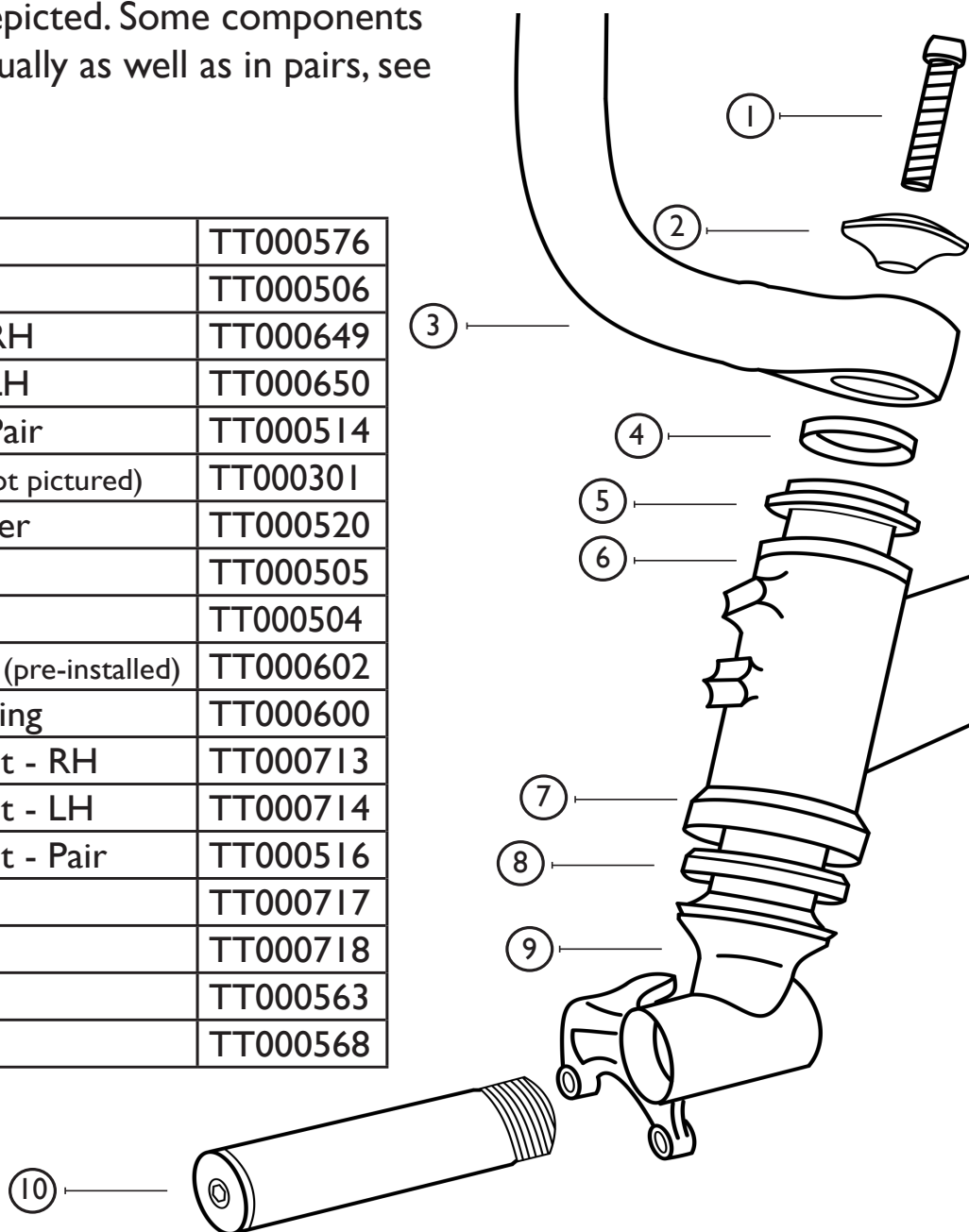
## Hybrid Steering Stack Assembly\*

Assemble the steering stack as shown. Grease the steerer tube before inserting into head tube. Remove any excess grease from steerer tube before installing handlebar. Grease axle before installing wheel. Torque axle to 23-25Nm.

\*Right Hand assembly depicted. Some components can be purchased individually as well as in pairs, see parts list below.

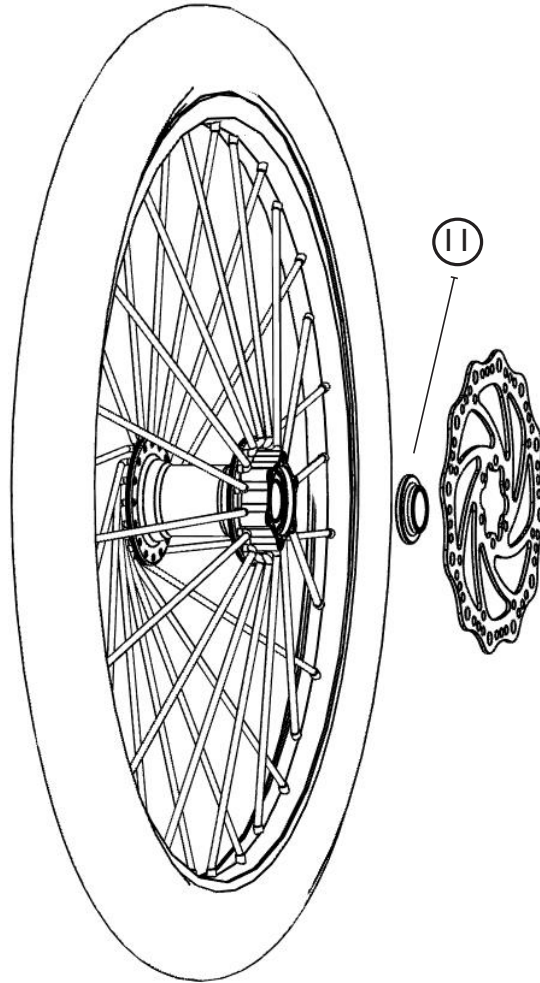
### Parts List

1	M6x30 Bolt	TT000576
2	Hybrid Top Cap	TT000506
3	Trigger Handlebar - RH	TT000649
	Trigger Handlebar - LH	TT000650
	Trigger Handlebar - Pair	TT000514
	M5x20 Bolt - 2qty (not pictured)	TT000301
4	Hybrid Headset Spacer	TT000520
5	Hybrid Headset Cap	TT000505
6	Bushing (pre-installed)	TT000504
7	Hybrid Headset Cup (pre-installed)	TT000602
8	Hybrid Headset Bearing	TT000600
9	Rapid Axle Hubmount - RH	TT000713
	Rapid Axle Hubmount - LH	TT000714
	Rapid Axle Hubmount - Pair	TT000516
10	Rapid Axle - RH	TT000717
	Rapid Axle - LH	TT000718
	Rapid Axle - Pair	TT000563
11	Axle Spacer	TT000568



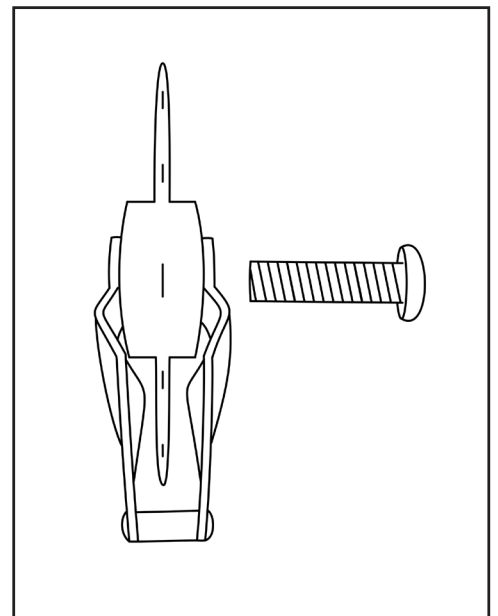
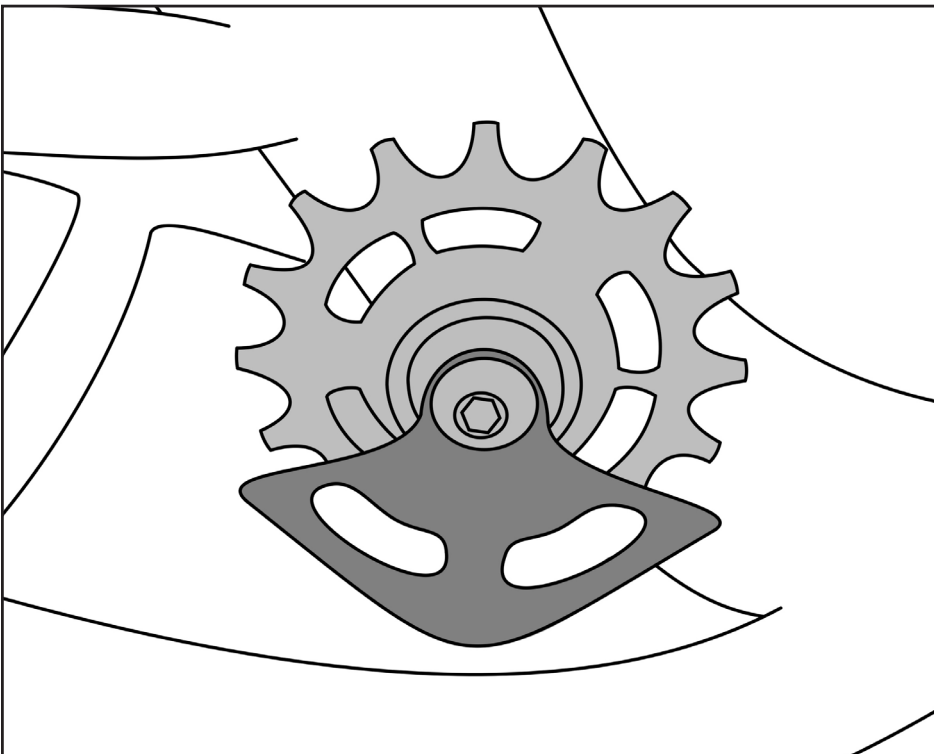
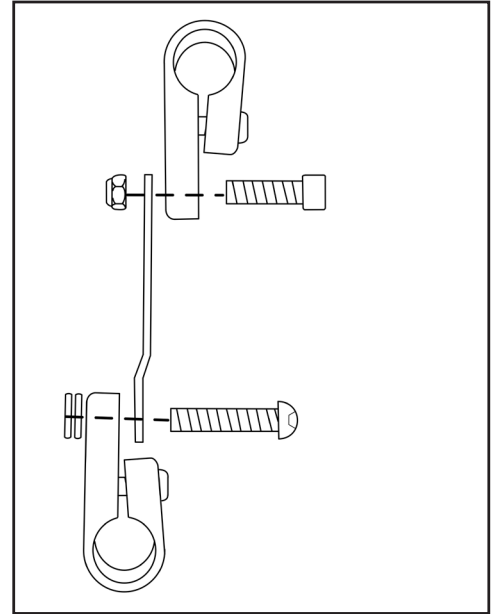
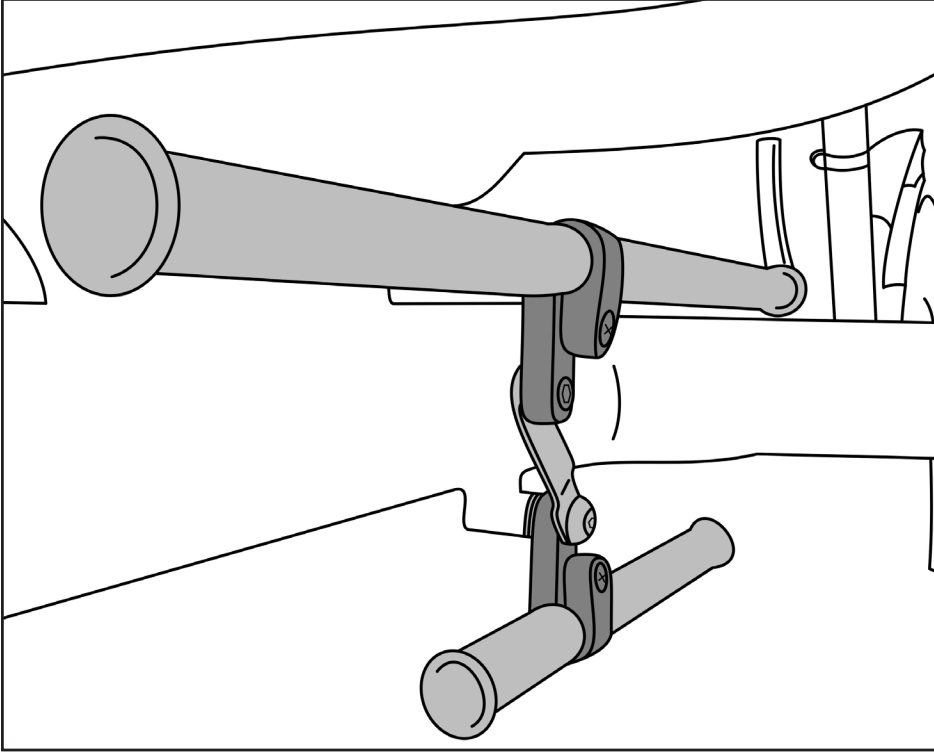
## Hybrid Steering Stack Assembly Continued\*

Install Axle Spacer (11) between brake rotor and hub.



## Chain Tube Setup

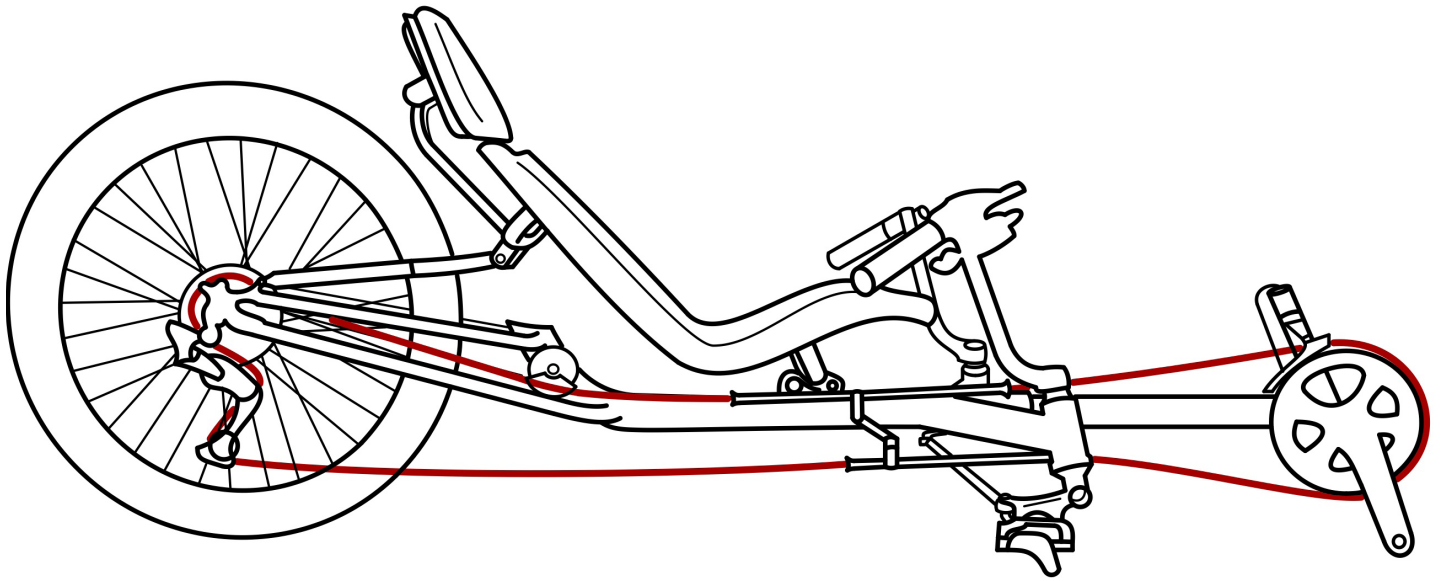
Mount the chain tube and idler assembly as shown below. Ensure the chain tubes do not rotate in the clamps after tightening the pinch bolts.



Upper Assy.	Chain Tube, 38cm LDPE	TT000549	1
	Chain Tube Clamp, Rov/Rab/Mav	TT000152	1
	M5x12mm SHCS SS	TT000303	1
	M5x18mm Pan Head SS	N/A	1
	M5 Nyloc Nut SS	TT000252	1
Shared	Chain Tube Bracket Arm, M5, M8	TT000151	1
			1
Lower Assy.	Chain Tube, 22cm LDPE	WC000010	1
	Chain Tube CLamp, Traveler	TT000422	1
	M8x30mm BHCS SS	TT000280	1
	M5x18mm Pan Head SS	N/A	1
	M8 Flat Washer SS	TT000290	2
Idler Assy.	Idler, 16T w/ Cage	WC000041	1
	M3x6 Button HEad	N/A	2
	M8x35mm BHSCS SS	TT000279	1

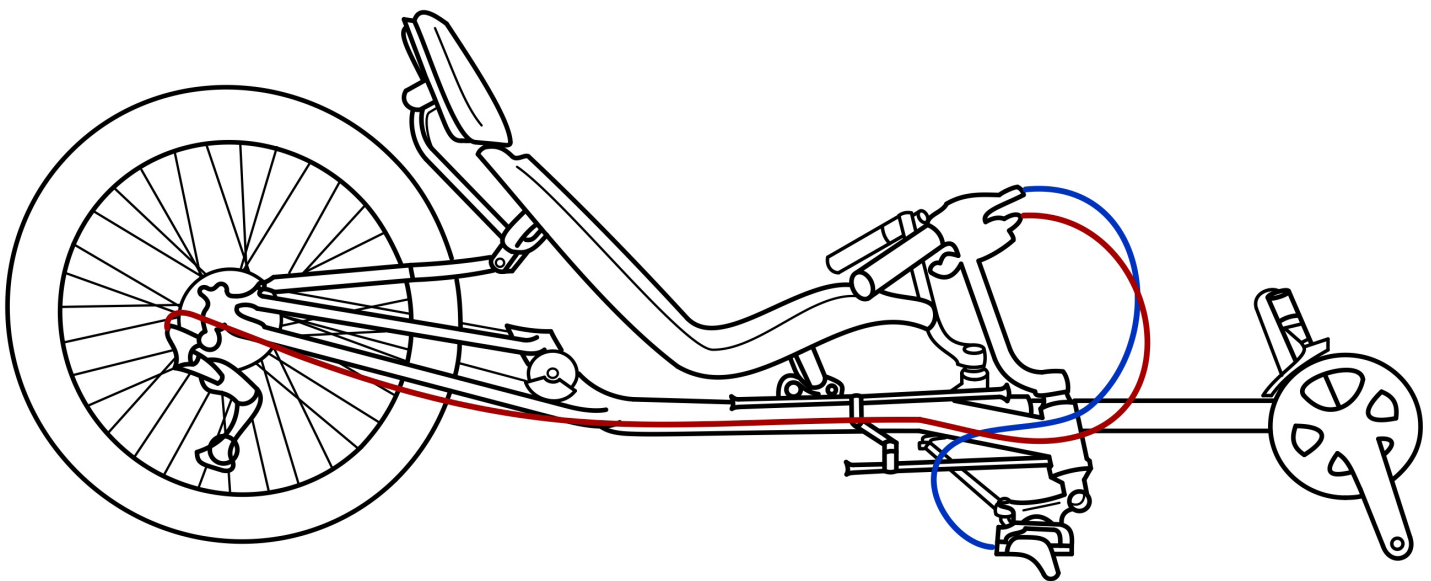


## Chain Routing

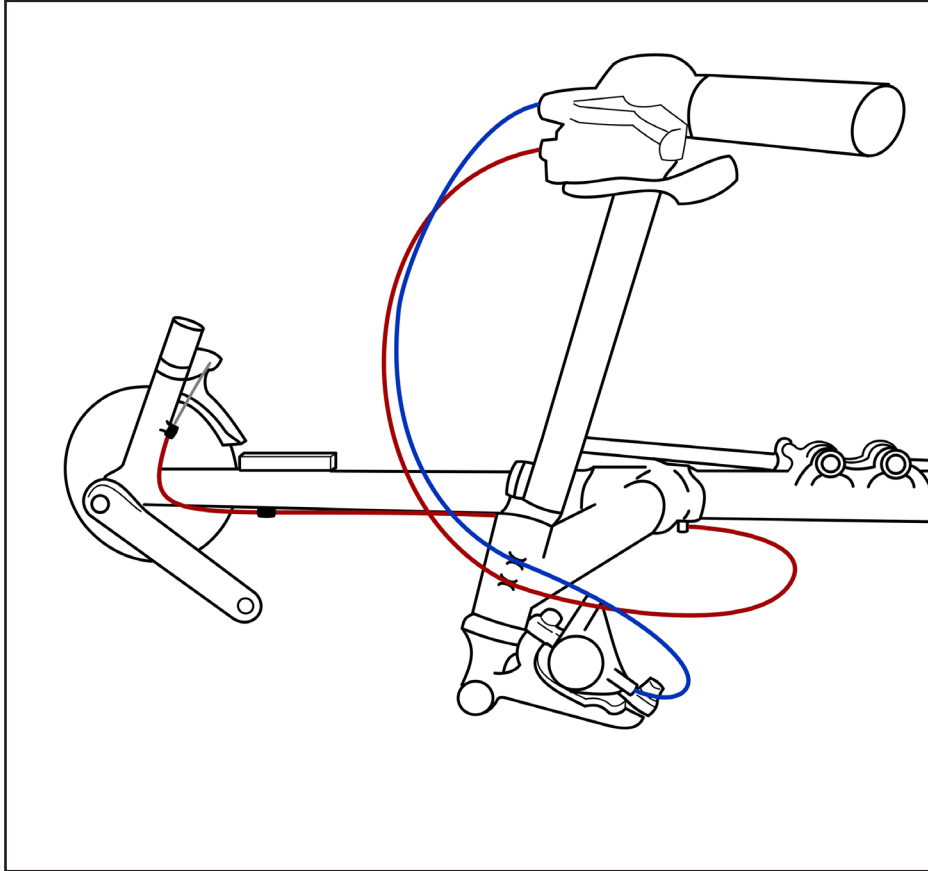


## Cable Routing RH

Brake Cable  
Shift Cable



## Cable Routing LH





***TerraTrike***<sup>®</sup>

800.945.9910 | [www.TerraTrike.com](http://www.TerraTrike.com)  
4460 40th St. SE | Grand Rapids, MI 49512 USA

