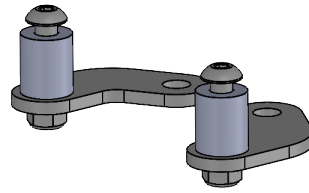
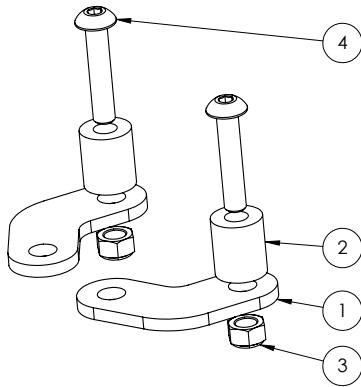


Tools Needed: 3mm Allen Wrench
8mm Combination Wrench

Parts Included:

1	TT000920	Bracket, Elbow Fit Kit	2
2	WC000001	Spacer, 15mm	2
3	WH000004	M5 Nyloc Nut SS	2
4	TT000299	M5x30 BHSCS SS	2

**Assembly Instructions:**

- Remove the frame bolts (green) and set aside. Install Fit Kit and mounting hardware (red) onto Low Rider Rack. Mount Low Rider Rack onto trike frame via the frame bolts.

